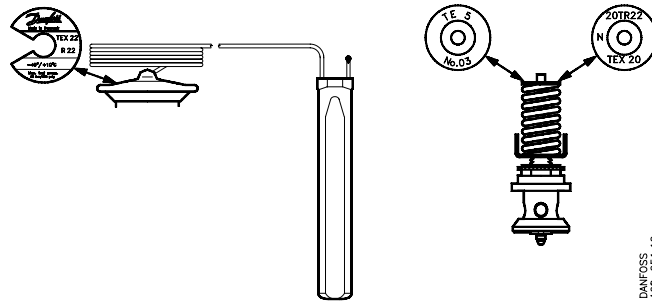
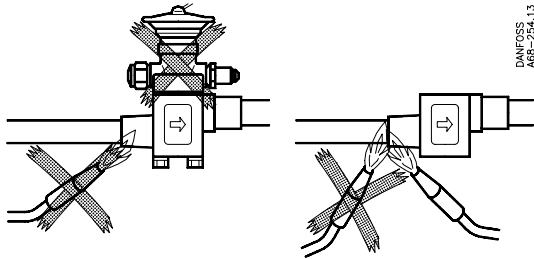


068R9635

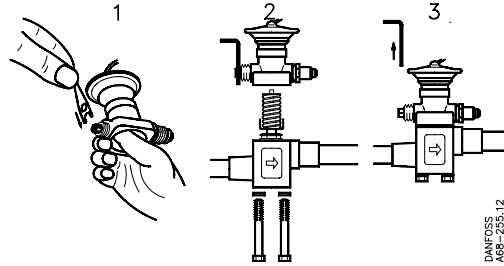
068R9635



DANFOSS
A68-251.12



DANFOSS
A68-254.13



DANFOSS
A68-255.12

Range N = -40 → +10°C (-40°F → +50°F)
Range B = -60 → -25°C (-75°F → -15°F)

TE 5

Orifice no.	Orifice code no.	Y = ±1 mm							
		R 22 Range		R 134a Range	R 404A Range		R 12 Range	R 502 Range	
		N	B	N	N	B	N	N	B
01	068B2089	26	26	27	27.5	27.5	28	26	26
02	068B2090	26	26	27	27.5	27.5	28	26	26
03	068B2091	26	26	27	27.5	27.5	28	26	26
04	068B2092	26	26	27	27.5	27.5	28	26	26

TE 12

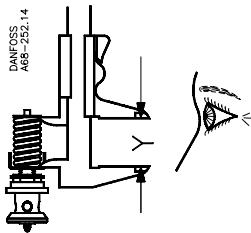
Orifice no.	Orifice code no.	Y = ±1 mm							
		R 22 Range		R 134a Range	R 404A Range		R 12 Range	R 502 Range	
		N	B	N	N	B	N	N	B
01	068B2005	35	35	35	36	36	36	32	32
02	068B2006	35	35	35	36	36	36	32	32
03	068B2007	35	35	35	36	36	36	32	32
04	068B2008	35	35	35	36	36	36	32	32

TE 20

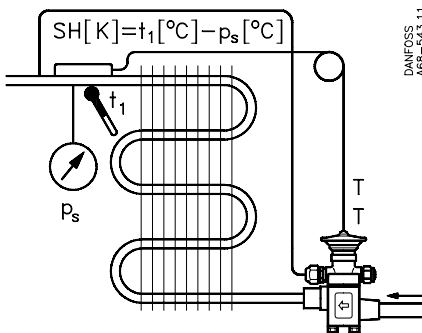
Orifice no.	Orifice code no.	Y = ±1 mm							
		R 22 Range		R 134a Range	R 404A Range		R 12 Range	R 502 Range	
		N	B	N	N	B	N	N	B
01	068B2170	-	-	32	-	-	34	-	-
01	068B2172	33.5	36	-	-	-	-	-	-
01	068B2175	-	-	-	35	35	-	33	33

TE 55

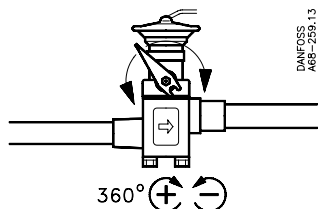
Orifice no.	Orifice code no.	Y = ±1 mm							
		R 22 Range		R 134a Range	R 404A Range		R 12 Range	R 502 Range	
		N	B	N	N	B	N	N	B
01	068G2001	-	-	31	33	33	33	-	-
02	068G2002	-	-	31	33	33	33	-	-
01	068G2005	32	34	-	-	-	-	-	-
02	068G2006	32	34	-	-	-	-	-	-
01	068G2011	-	-	-	-	-	-	33	34
02	068G2012	-	-	-	-	-	-	33	34



SH = 4°C (7°F)

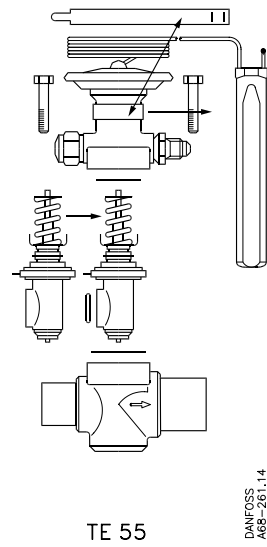
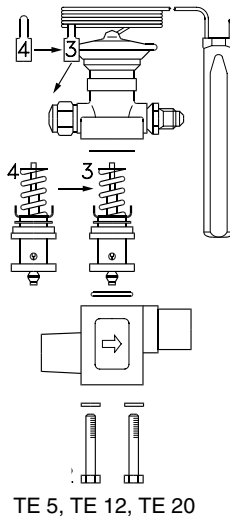
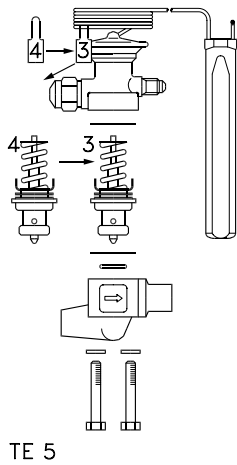
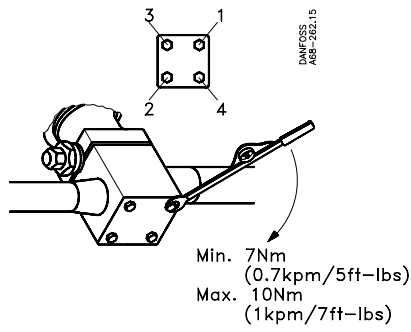
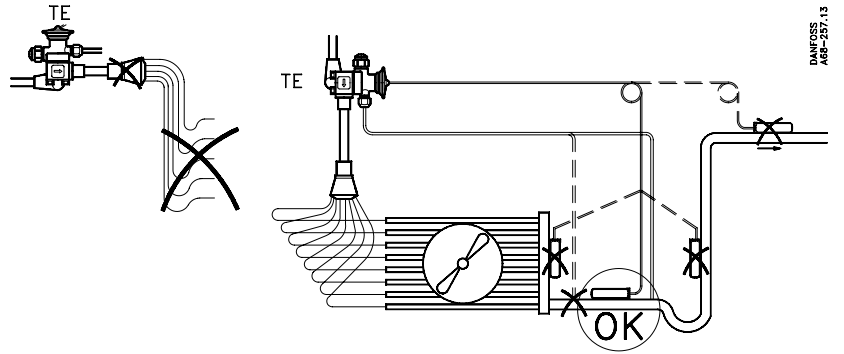
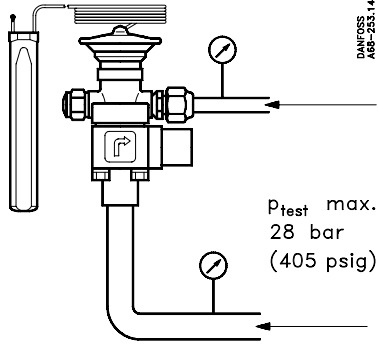
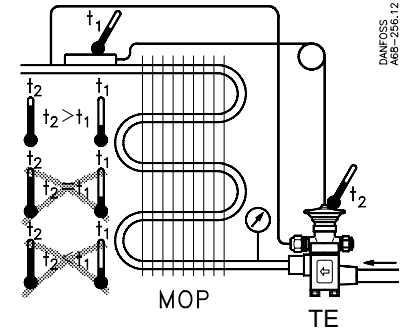
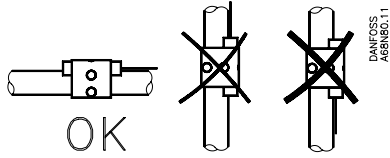
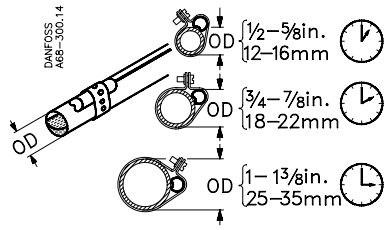


DANFOSS
A68-543.11



DANFOSS
A68-239.13

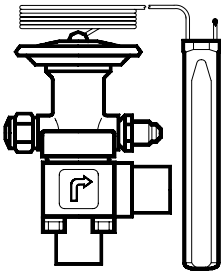
TE5, TE12: { N ~ 0.5°C (1°F) SH
 B ~ 1.5°C (3°F) SH
TE20, TE55: { N ~ 0.5°C (1°F) SH
 B ~ 1.0°C (2°F) SH



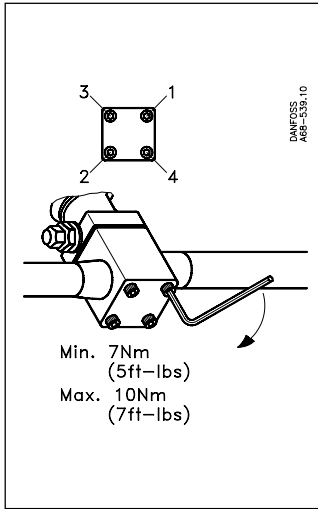
068R9687

TE 5, TE 12, TE 20, TE 55

068R9687



© Danfoss A/S RI.1A.1G.00 01-1999



RI.1A.1G.00 © Danfoss A/S (AC-SP.jp) 01-1999